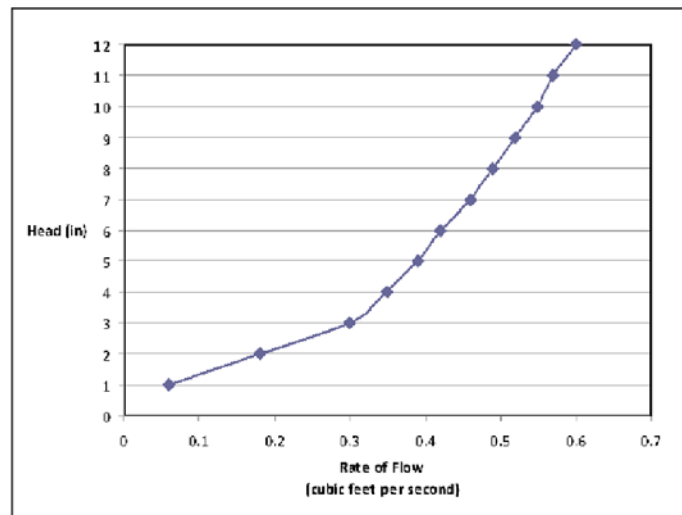
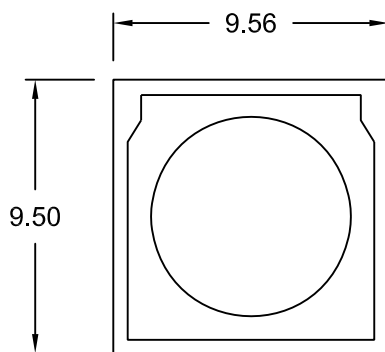
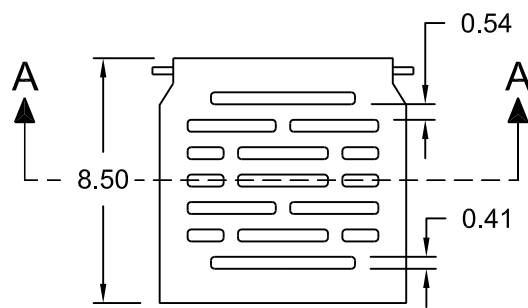
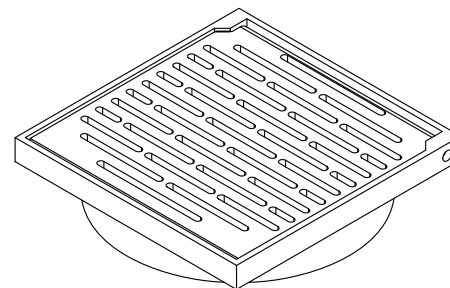
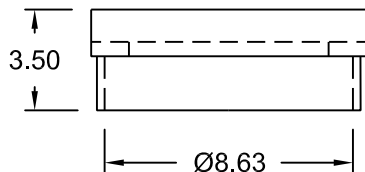


SECTION A-A



**MACON PLASTICS**

PO Box 6491 Macon, GA 31208  
 Ph: 478.743.6828 Fax: 478.743.6819  
 Toll Free: 888.782.2722

This print discloses subject matter in which Macon Plastics has proprietary rights. This drawing was originated by and is the exclusive property of Macon Plastics. It is furnished for recipient's information only and is not an authorization or license to make this construction or furnish this information to others.

Open Area: 16 Sq. Inches	Ductile Iron as per ASTM A536 Grade 65-45-12	Drawn By: MF	Date: 03/11/2011
DOT H-20		Approved By: JW	Weight: 27 lbs
<b>Description: 8 Inch Square Pedestrian Slotted Hinged Frame &amp; Grate</b>			
Part Number: G08INSQUAREGRAT			<b>Scale: NTS</b>