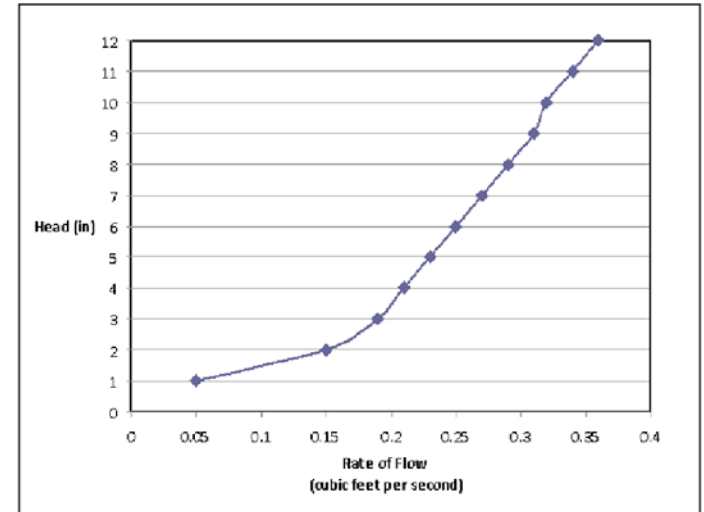
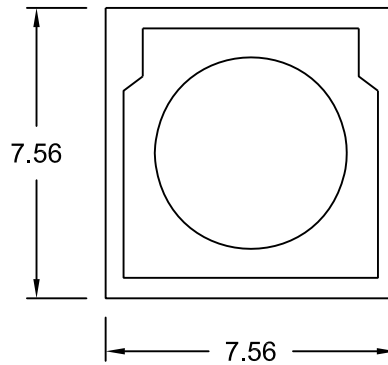
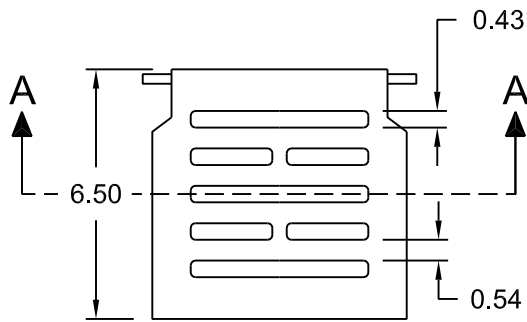
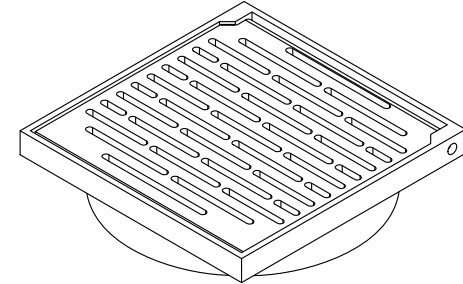
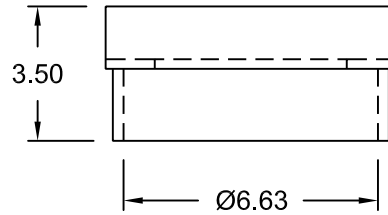


SECTION A-A

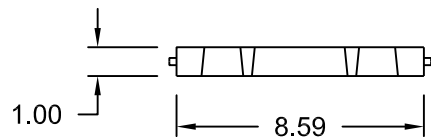


MACON PLASTICS

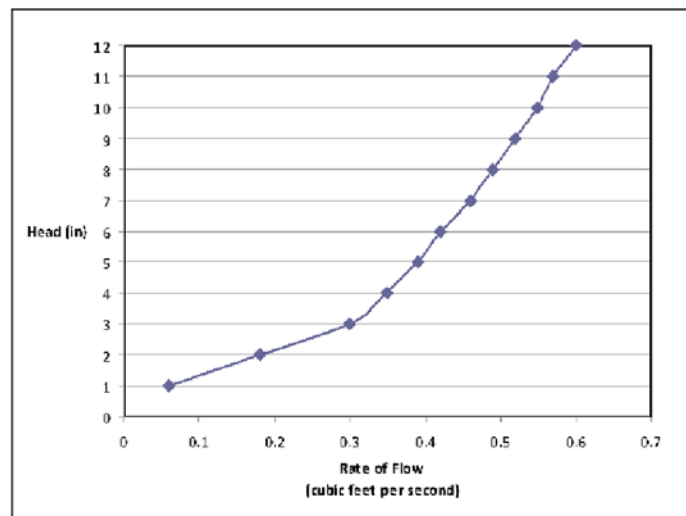
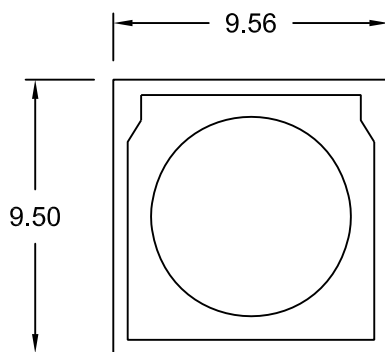
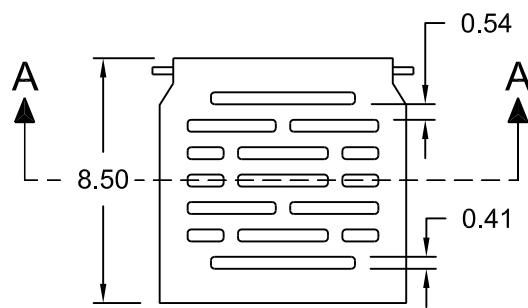
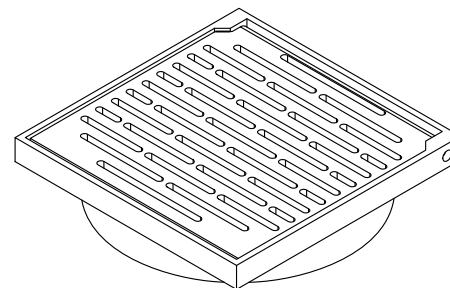
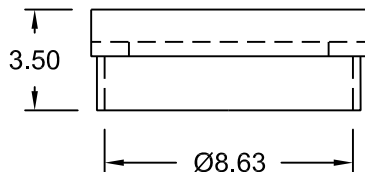
PO Box 6491 Macon, GA 31208
 Ph: 478.743.6828 Fax: 478.743.6819
 Toll Free: 888.782.2722

This print discloses subject matter in which Macon Plastics has proprietary rights. This drawing was originated by and is the exclusive property of Macon Plastics. It is furnished for recipient's information only and is not an authorization or license to make this construction or furnish this information to others.

Open Area: 9.5 Sq. Inches	Ductile Iron as per ASTM A536 Grade 65-45-12	Drawn By: MF	Date: 08/11/2010
DOT H-20		Approved By: JW	Weight: 18.5 lbs
Description: 6 Inch Square Pedestrian Slotted Hinged Frame & Grate			
Part Number: G06INSQUAREGRAT			Scale: NTS



SECTION A-A

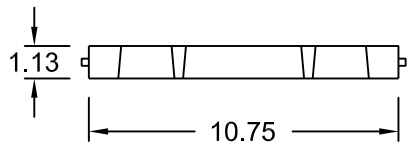


MACON PLASTICS

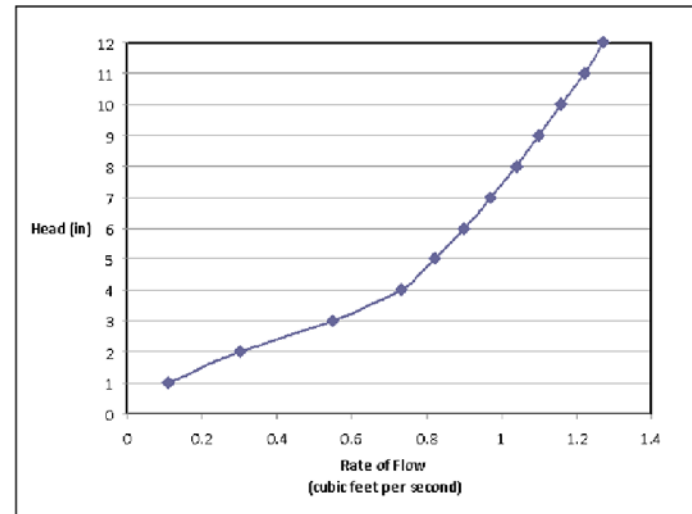
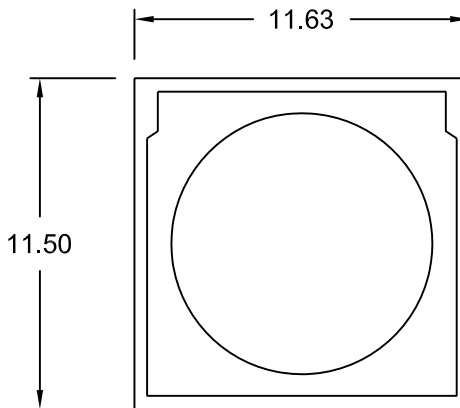
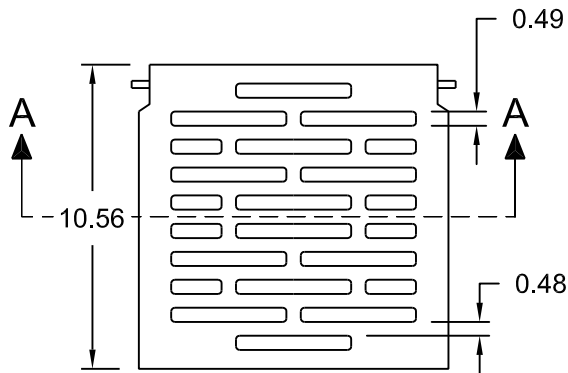
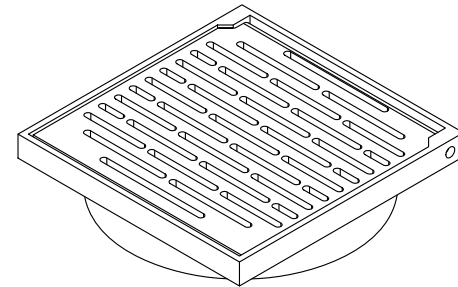
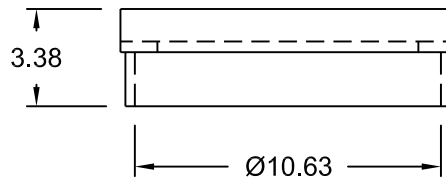
PO Box 6491 Macon, GA 31208
 Ph: 478.743.6828 Fax: 478.743.6819
 Toll Free: 888.782.2722

This print discloses subject matter in which Macon Plastics has proprietary rights. This drawing was originated by and is the exclusive property of Macon Plastics. It is furnished for recipient's information only and is not an authorization or license to make this construction or furnish this information to others.

Open Area: 16 Sq. Inches	Ductile Iron as per ASTM A536 Grade 65-45-12	Drawn By: MF	Date: 03/11/2011
DOT H-20		Approved By: JW	Weight: 27 lbs
Description: 8 Inch Square Pedestrian Slotted Hinged Frame & Grate			
Part Number: G08INSQUAREGRAT			Scale: NTS



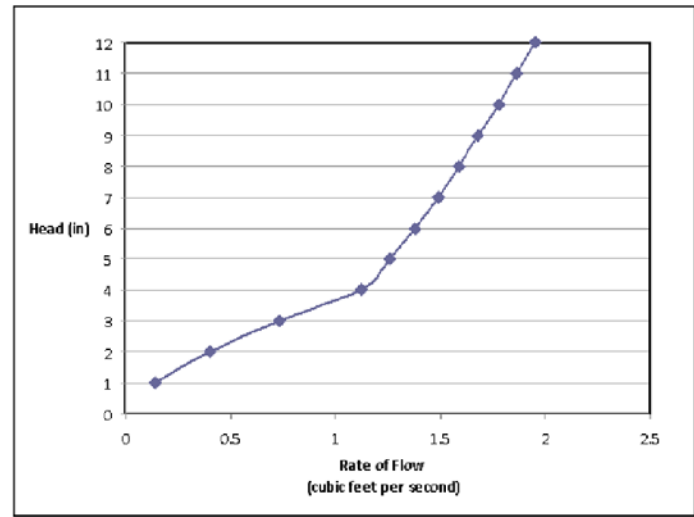
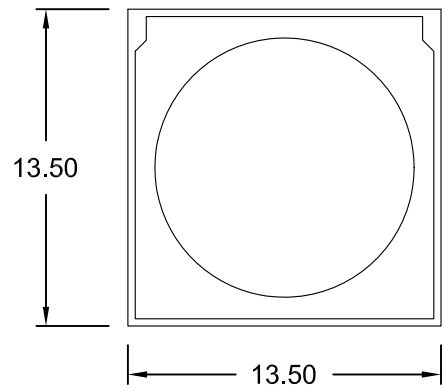
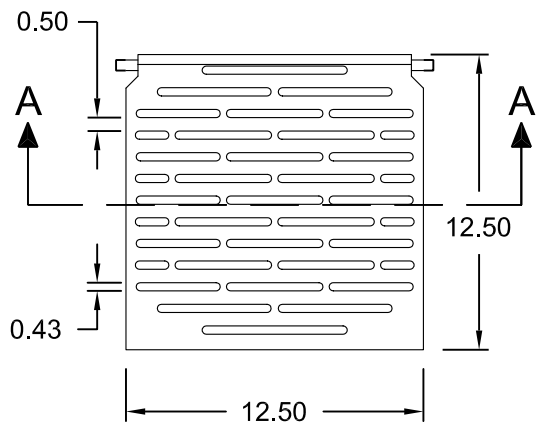
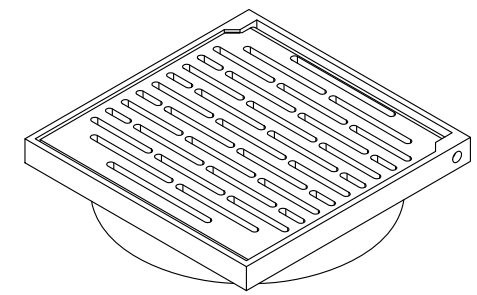
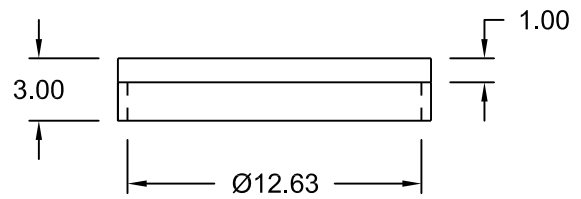
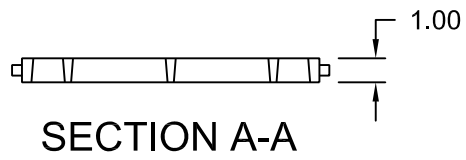
SECTION A-A



MP **MACON PLASTICS**
 PO Box 6491 Macon, GA 31208
 Ph: 478.743.6828 Fax: 478.743.6819
 Toll Free: 888.782.2722

This print discloses subject matter in which Macon Plastics has proprietary rights. This drawing was originated by and is the exclusive property of Macon Plastics. It is furnished for recipient's information only and is not an authorization or license to make this construction or furnish this information to others.

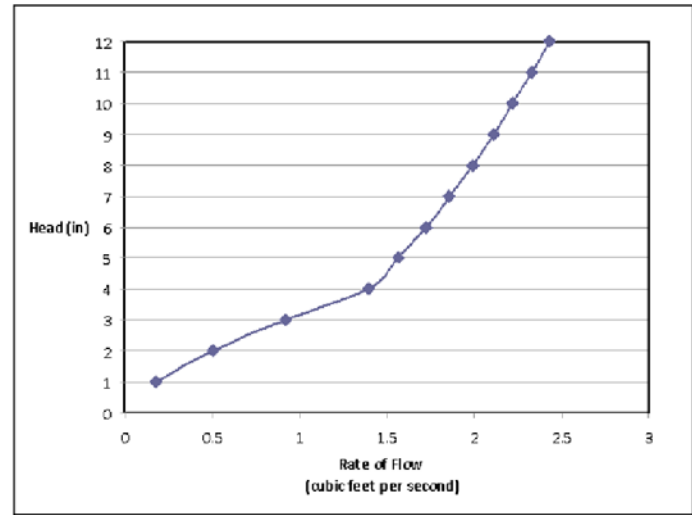
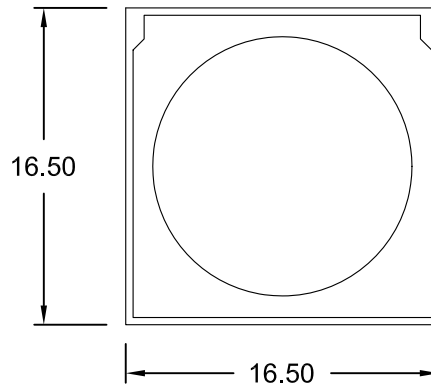
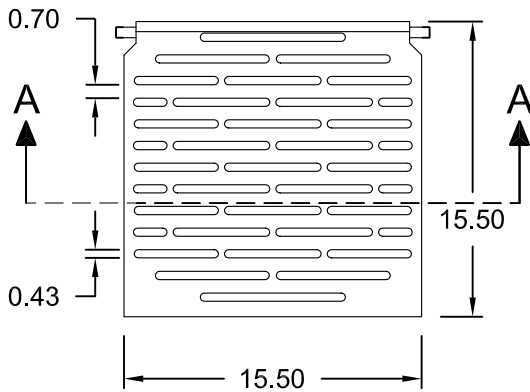
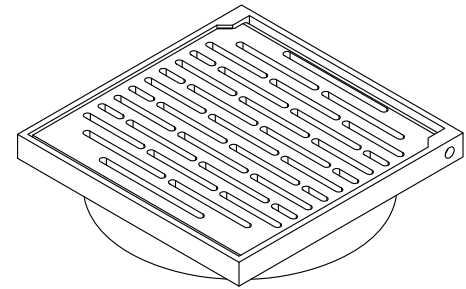
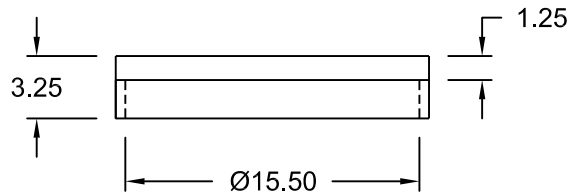
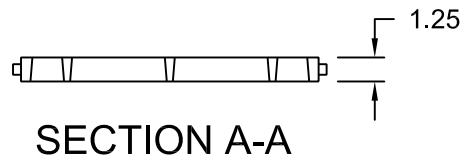
Open Area: 34 Sq. Inches	Ductile Iron as per ASTM A536 Grade 65-45-12	Drawn By: MF	Date: 08/11/2010
DOT H-20		Approved By: JW	Weight: 38 lbs
Description: 10 Inch Square Pedestrian Slotted Hinged Frame & Grate			
Part Number: G10INSQUAREGRAT			Scale: NTS



MACON PLASTICS
 PO Box 6491 Macon, GA 31208
 Ph: 478.743.6828 Fax: 478.743.6819
 Toll Free: 888.782.2722

This print discloses subject matter in which Macon Plastics has proprietary rights. This drawing was originated by and is the exclusive property of Macon Plastics. It is furnished for recipient's information only and is not an authorization or license to make this construction or furnish this information to others.

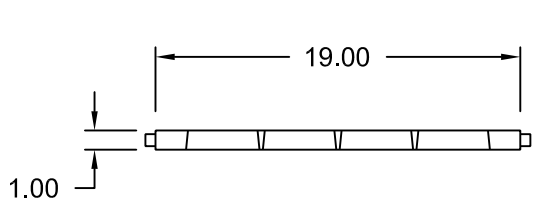
Open Area: 52 Sq. Inches	Ductile Iron as per ASTM A536 Grade 65-45-12	Drawn By: MF	Date: 07/27/2010
DOT H-20		Approved By: JW	Weight: 42 lbs
Description: 12 Inch Square Pedestrian Slotted Hinged Frame & Grate			
Part Number: G12INSQUAREGRAT			Scale: NTS



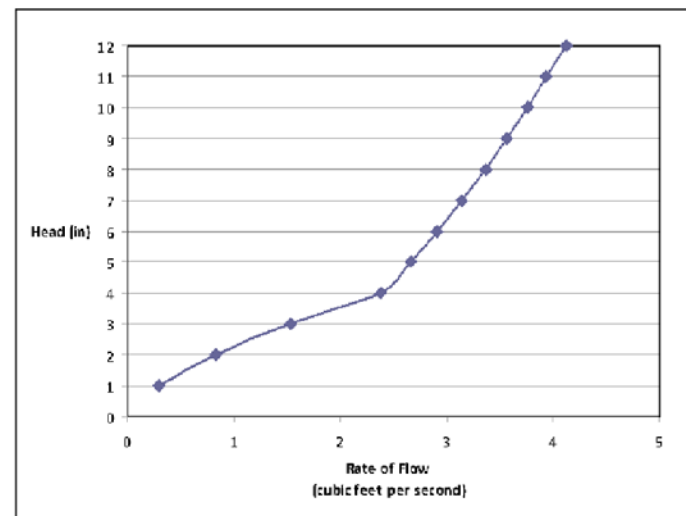
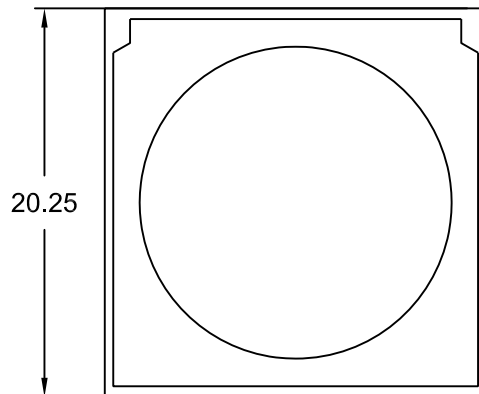
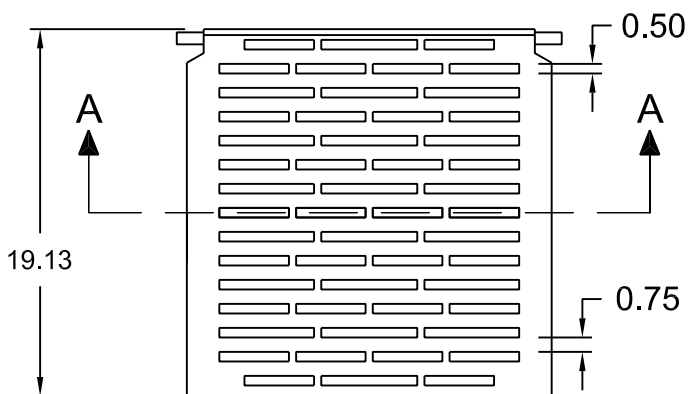
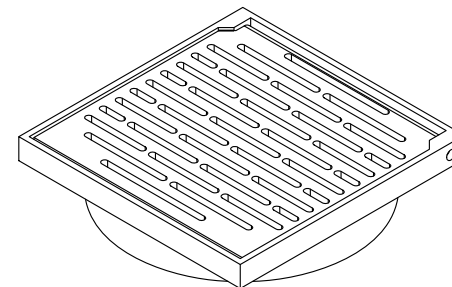
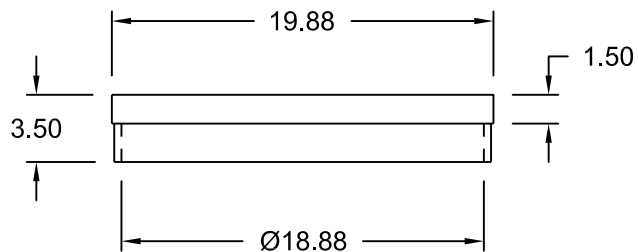
MP **MACON PLASTICS**
 PO Box 6491 Macon, GA 31208
 Ph: 478.743.6828 Fax: 478.743.6819
 Toll Free: 888.782.2722

This print discloses subject matter in which Macon Plastics has proprietary rights. This drawing was originated by and is the exclusive property of Macon Plastics. It is furnished for recipient's information only and is not an authorization or license to make this construction or furnish this information to others.

Open Area: 65 Sq. Inches	Ductile Iron as per ASTM A536 Grade 65-45-12	Drawn By: MF	Date: 07/27/2010
DOT H-20		Approved By: JW	Weight: 72.5 lbs
Description: 15 Inch Square Pedestrian Slotted Hinged Frame & Grate			
Part Number: G15INSQUAREGRAT			Scale: NTS



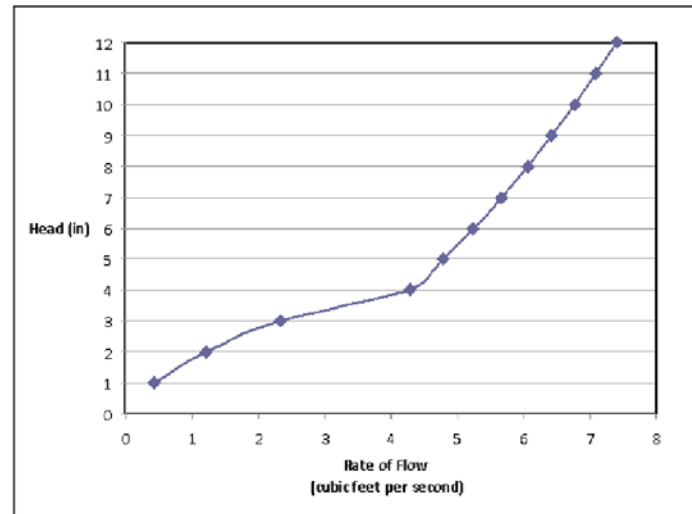
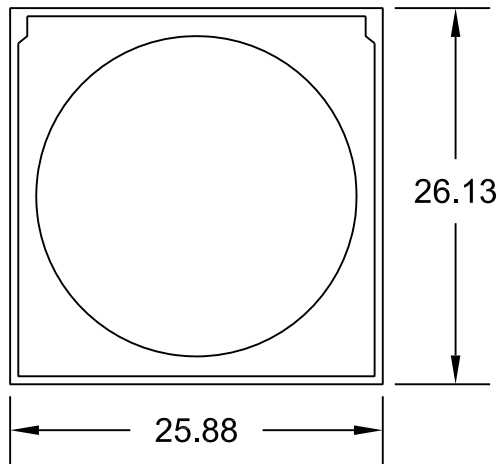
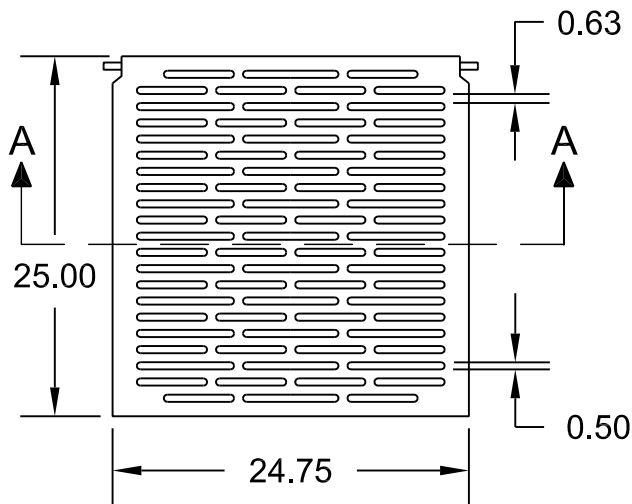
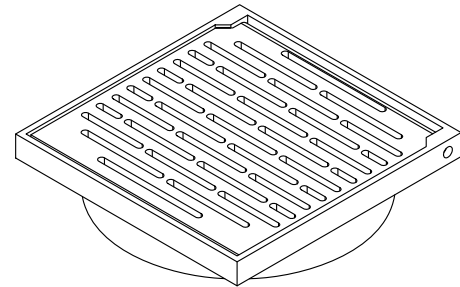
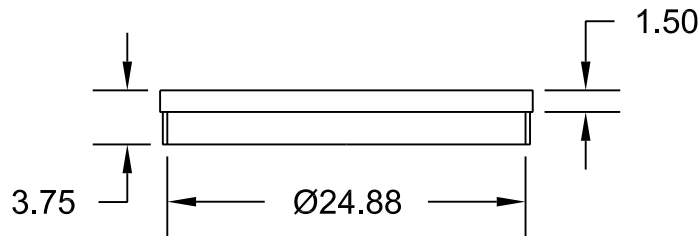
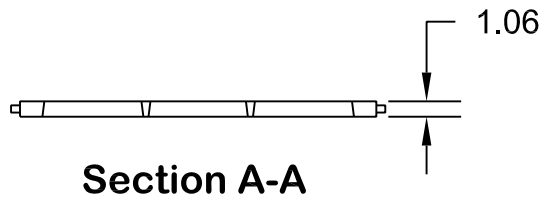
SECTION A-A



MACON PLASTICS
 PO Box 6491 Macon, GA 31208
 Ph: 478.743.6828 Fax: 478.743.6819
 Toll Free: 888.782.2722

This print discloses subject matter in which Macon Plastics has proprietary rights. This drawing was originated by and is the exclusive property of Macon Plastics. It is furnished for recipient's information only and is not an authorization or license to make this construction or furnish this information to others.

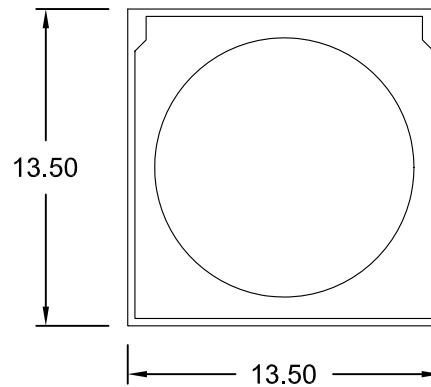
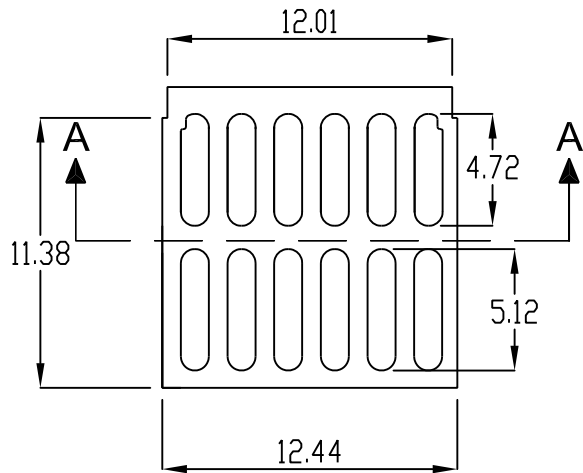
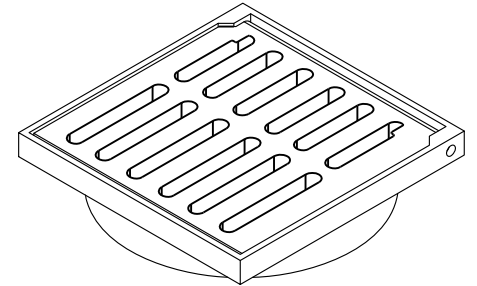
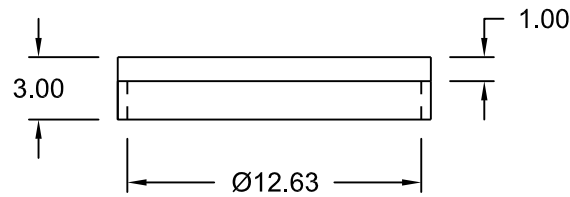
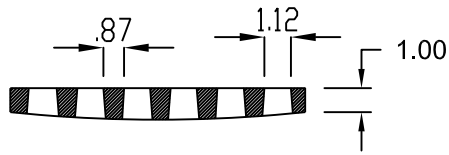
Open Area: 110 Sq. Inches	Ductile Iron as per ASTM A536 Grade 65-45-12	Drawn By: MF	Date: 08/25/2010
DOT H-20		Approved By: JW	Weight: 104 lbs
Description: 18 Inch Square Pedestrian Slotted Hinged Frame & Grate			
Part Number: G18INSQUAREGRAT			Scale: NTS



MACON PLASTICS
 PO Box 6491 Macon, GA 31208
 Ph: 478.743.6828 Fax: 478.743.6819
 Toll Free: 888.782.2722

This print discloses subject matter in which Macon Plastics has proprietary rights. This drawing was originated by and is the exclusive property of Macon Plastics. It is furnished for recipient's information only and is not an authorization or license to make this construction or furnish this information to others.

Open Area: 198 Sq Inches	Ductile Iron as per ASTM A536 Grade 65-45-12	Drawn By: MF	Date: 09/20/2010
DOT H-20		Approved By: JW	Weight: 163 lbs
Description: 24 Inch Square Pedestrian Slotted Frame and Grate			
Part Number: G24INSQUAREGRAT			Scale: NTS



MACON PLASTICS

PO Box 6491 Macon, GA 31208
 Ph: 478.743.6828 Fax: 478.743.6819
 Toll Free: 888.782.2722

This print discloses subject matter in which Macon Plastics has proprietary rights. This drawing was originated by and is the exclusive property of Macon Plastics. It is furnished for recipient's information only and is not an authorization or license to make this construction or furnish this information to others.

Open Area: 66.5 Sq. Inches	Ductile Iron as per ASTM A536 Grade 65-45-12	Drawn By: EM	Date: 01/25/2019
DOT H-20		Approved By: JW	Weight: 38 lbs
Description: 12 Inch Square Standard Slotted Hinged Frame & Grate			
Part Number: G12INSQUAREGRWS			Scale: NTS