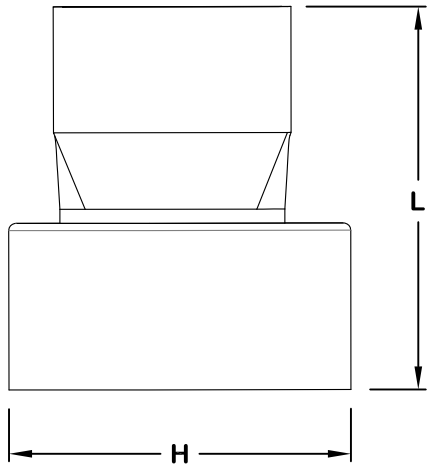
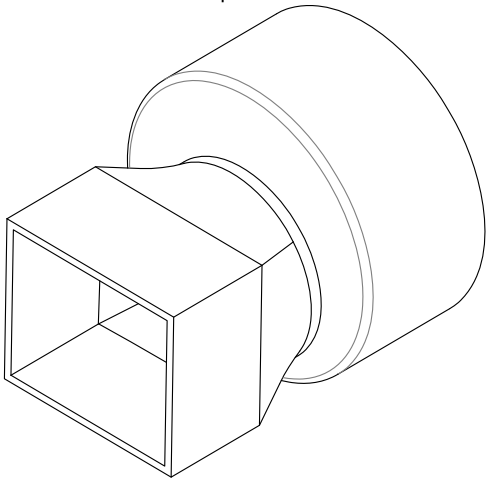
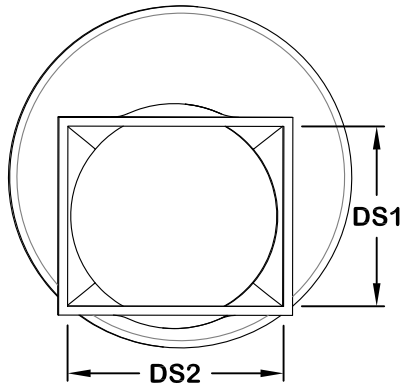


REVISIONS			
REV	DESCRIPTION	DATE	APPROVED



Size	Part #	H	L	DS1	DS2
3x4x6	80289	6.3	4.9	3.0	4.0
3x4x8	01114	8.4	7.5	3.0	4.0
4x5x6	80221	6.3	6.5	4.0	5.0
4x5x8	80287	8.4	10.2	4.0	5.0
5x6x8	80285	8.4	10.7	5.0	6.0
6x8x8	80295	8.4	11.5	6.0	8.0
6x8x10	80290	10.5	11.5	6.0	8.0

Dimensions are approximate due to various factors affecting production. Dimensions are subject to change without notice due to design or production modifications. Unless otherwise specified, socket bottom to socket bottom dimensions are to be +/-1/2". Overall length dimensions are to be +/-1". All fitting angles are to be +/-1 degree. Outside dimensions are to be +/-1/4".

This print discloses subject matter in which Macon Plastics has proprietary rights. This drawing was originated by and is the exclusive property of Macon Plastics. It is furnished for recipient's information only and is not an authorization or license to make this construction or furnish this information to others.



Macon Plastics
P.O. Box 6491 Macon, GA 31208 888.782.2722
Rectangular Offset Downspout Adapter 3034 DSxHub

DRAWN BY MB
APPROVED BY JW

SIZE A	OWG NO. SWR-S-RECOFFDSADP-20-001	REV
SCALE NTS	DATE 01/28/2020	SHEET 1 OF 1