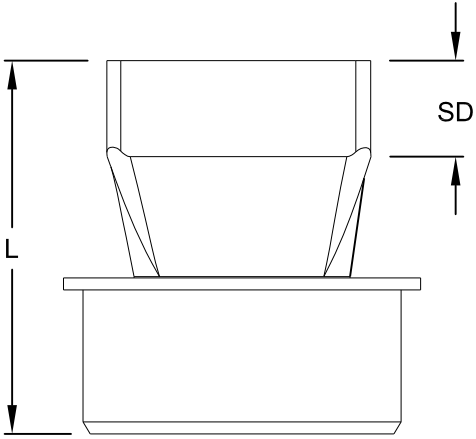
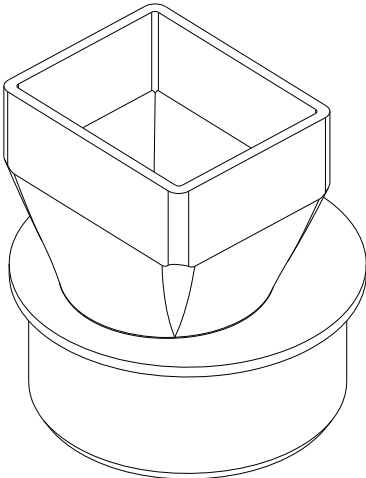
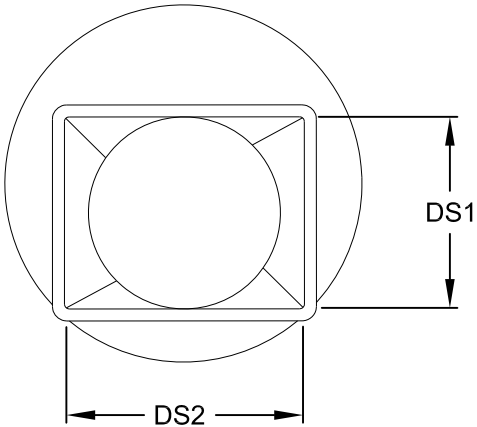


REVISIONS			
REV	DESCRIPTION	DATE	APPROVED



Part Number	Nominal Size	DS1	DS2	SD	L
80279	3x4x6	3.0	4.0	1.9	6.0
80233	4x5x6	4.0	5.0	2.5	8.0
80223	3x4x8	3.0	4.0	1.9	7.0
01039	5x6x8	5.0	6.0	2.7	8.7

Dimensions are approximate due to various factors affecting production. Dimensions are subject to change without notice due to design or production modifications. Unless otherwise specified, socket bottom to socket bottom dimensions are to be +/-1/2". Overall length dimensions are to be +/-1". All fitting angles are to be +/-1 degree. Outside dimensions are to be +/-1/4".

This print discloses subject matter in which Macon Plastics has proprietary rights. This drawing was originated by and is the exclusive property of Macon Plastics. It is furnished for recipient's information only and is not an authorization or license to make this construction or furnish this information to others.



Macon Plastics
 PO Box 6491 Macon, GA 31208 888.782.2722

**Rectangular Offset
 Downspout Adapter 3034 Male**

DRAWN BY MB	SIZE A	OWG NO. SSWR-S-RECOFFDSM-14-001	REV
APPROVED BY JW	SCALE NTS	DATE 10/10/2013	SHEET 1 OF 1