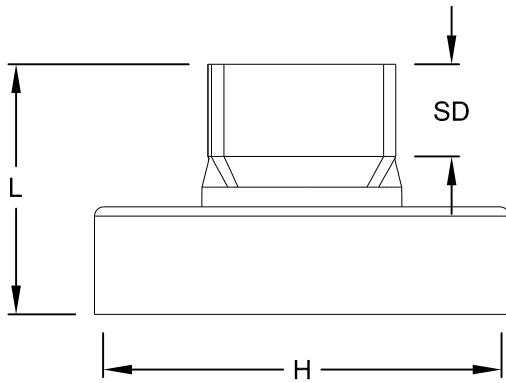
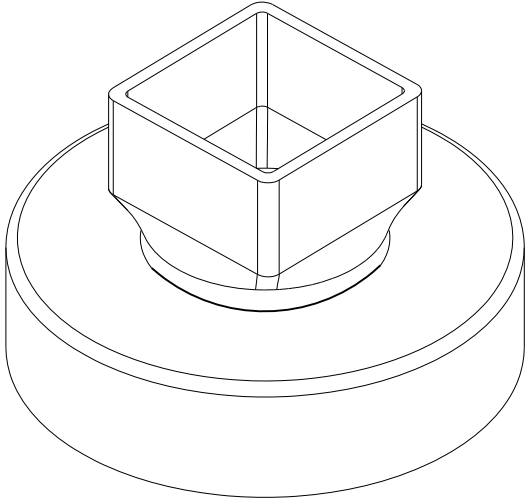
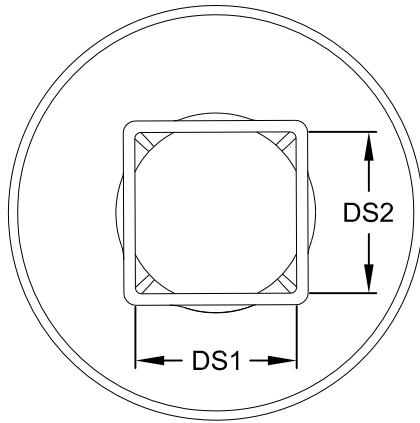


REVISIONS			
REV	DESCRIPTION	DATE	APPROVED



Part Number	Nominal Size	DS1	DS2	SD	H	L
01164	4x4x10	4.0	4.0	1.8	10.5	8.0
NS	7x7x10	7.0	7.0	2.5	10.5	9.0
NS	5x5x12	5.0	5.0	2.5	12.5	9.0
80204	6x6x12	6.0	6.0	2.5	12.5	9.0

Dimensions are approximate due to various factors affecting production. Dimensions are subject to change without notice due to design or production modifications. Unless otherwise specified, socket bottom to socket bottom dimensions are to be +/-1/2". Overall length dimensions are to be +/-1". All fitting angles are to be +/-1 degree. Outside dimensions are to be +/-1/4".

This print discloses subject matter in which Macon Plastics has proprietary rights. This drawing was originated by and is the exclusive property of Macon Plastics. It is furnished for recipient's information only and is not an authorization or license to make this construction or furnish this information to others.



DRAWN BY MB  
APPROVED BY JW

**Macon Plastics**  
PO Box 6491 Macon, GA 31208 888.782.2722

**Concentric Downspout Adapter  
DSxHub 3034 SDR35**

SIZE <b>A</b>	DWG NO. <b>SSWR-S-CONCDSINCHUB-14-001</b>	REV
SCALE NTS	DATE 02/05/2020	SHEET 1 OF 1