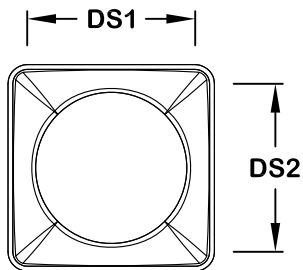
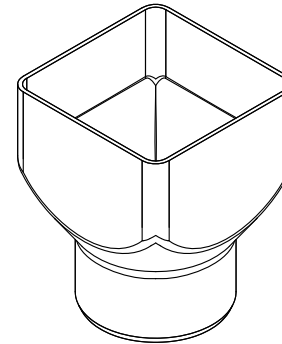
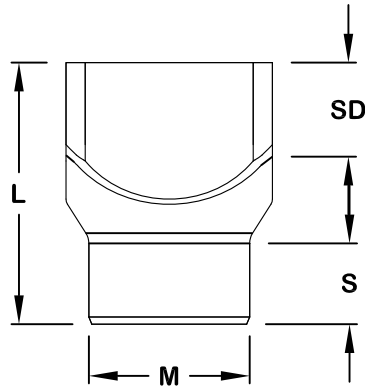




Macon Plastics
 PO Box 6491 Macon, GA 31208
 478.743.6828 Fax 478.743.6819

** This drawing was originated by and is the exclusive property of Macon Plastics. It is furnished for recipient's information only and is not an authorization or license to make this construction or furnish this information to others.



Nominal Size	Part Number	S	SD	L	M	DS1	DS2
4x4x4	80240	2.0	1.8	6.0	4.2	4.0	4.0
5x5x4	80243	2.0	1.8	6.6	4.2	5.0	5.0
5x5x6	80244	3.0	3.2	8.0	6.3	5.0	5.0
6x6x6	80245	3.0	2.9	9.0	6.3	6.0	6.0
7x7x6	01002	3.0	2.9	9.0	6.3	7.0	7.0
8x8x8	80246	4.0	3.8	10.5	8.4	8.0	8.0
10x10x10	01177	5.0	3.9	14.0	10.5	10.0	10.0
12x12x12	80247	6.0	4.0	16.0	12.5	12.0	12.0

Description: Square Downspout Adapter
Material: 3034 SDR 35
Size: (per chart)
Configuration: Downspout x Male

* Dimensions are approximate due to various factors affecting production.
 Dimensions are subject to change without notice due to design or production modifications.
 Unless otherwise specified, socket bottom to socket bottom dimensions are to be +/-1/2".
 Overall length dimensions are to be +/-1". All fitting angles are to be +/-1 degree.
 Outside dimensions are to be +/-1/4".