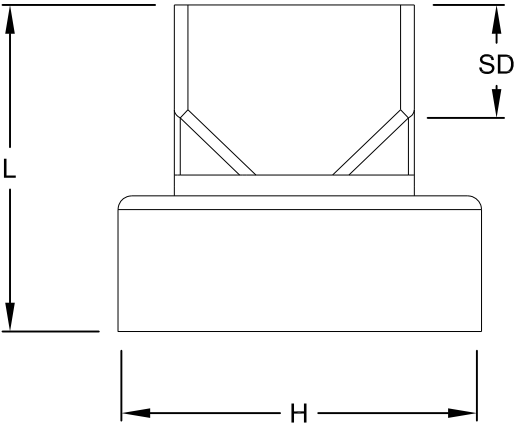
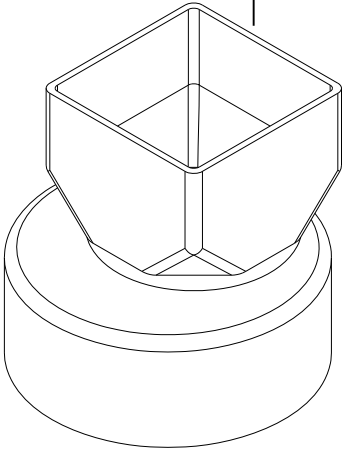
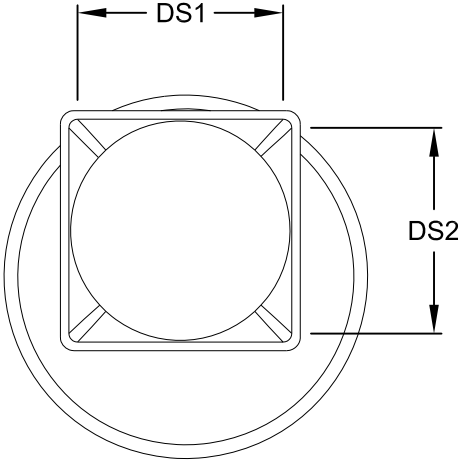


REVISIONS			
REV	DESCRIPTION	DATE	APPROVED



Part Number	Nominal Size	DS1	DS2	H	L	SD
80272	4x4x6	4.0	4.0	6.3	6.1	1.8
80257	4x4x8	4.0	4.0	8.4	8.3	1.8
01020	5x5x6	5.0	5.0	6.3	6.0	1.7
80294	5x5x8	5.0	5.0	8.4	8.6	1.8
NS	5x5x12	5.0	5.0	12.5	9.0	1.8
80291	6x6x8	6.0	6.0	8.4	9.7	2.9
01019	6x6x10	6.0	6.0	10.5	9.7	2.9
01170	7x7x10	7.0	7.0	10.5	9.8	3.7
01121	8x8x10	8.0	8.0	10.5	10.0	3.7
01087	8x8x12	8.0	8.0	12.5	11.0	3.7

Dimensions are approximate due to various factors affecting production. Dimensions are subject to change without notice due to design or production modifications. Unless otherwise specified, socket bottom to socket bottom dimensions are to be +/-1/2". Overall length dimensions are to be +/-1". All fitting angles are to be +/-1 degree. Outside dimensions are to be +/-1/4".

This print discloses subject matter in which Macon Plastics has proprietary rights. This drawing was originated by and is the exclusive property of Macon Plastics. It is furnished for recipient's information only and is not an authorization or license to make this construction or furnish this information to others.



Macon Plastics
P.O. Box 6491 Macon, GA 31208 888.782.2722

**Offset Downspout Adapter
DSxHub 3034 SDR35**

DRAWN BY MB	SIZE A	DWG NO. SSWR-S-OFFSETDSINCHUB-14-001	REV
APPROVED BY JW	SCALE NTS	DATE 04/8/2014	SHEET 1 OF 1